

**Information to Recycler**

<b>Producer:</b>	Panasonic	<b>date issued: month/year</b>  10 / 2018
<b>Product category/ type of equipment (Annex IA and IB of WEEE Directive):</b>	<b>IA:IT and telecommunications equipment</b>	
	<b>IB:Scanner</b>	
<b>Name of equipment:</b>	Document Scanner	
<b>Valid for models:</b>	KV-S1057C-M2 KV-S1027C-M2 KV-S1057C-J2 KV-S1027C-J2 KV-S1058Y-U KV-S1028Y-U	

**Component/ Material Information**

**<Existence>**

	<b>Component or Material</b>	<b>Marks &amp; Location</b> <b>Write "Exist" if included</b>	<b>Remarks</b>
1	Backlighting lamps of LCD/TFT or similar screens containing Mercury (Hg)	no	
2	Cadmium (*1)	no	
3	Gas discharge lamps	no	
4	Plastic containing brominated flame retardants other than in Printed Circuit Assemblies	Exist Location: See attached references/	PNKV1272 AC INLET COVER PNUF1061 Sensor PCB Holder PNUA1083 Lower Chassis PNUV1066 CIS COVER B PNUV1068 DFP ROLLER COVER
5	Liquid Crystal Displays with a surface greater than 100 cm2	no	
6	Asbestos	no	
7	Refractory ceramic fibres	no	
8	Radio-active substances	no	
9	Other forms of Beryllium	no	
10	printed circuit boards greater than 10 square centimetres	Exist Location: See attached references/  CONTROL Board for KV-S1027C-M2/J2 CONTROL Board for KV-S1057C-M2/J2 CONTROL Board for KV-S1028Y CONTROL Board for KV-S1058Y Power Supply for KV-S1027C-M2/J2/S1057C-M2/J2 Power Supply for KV-S1028Y/S1058Y Panel LCD Board Panel SW Board Start Sensor Board CIS(Built-in board) for KV-S1028Y/S1027C-M2,J2 CIS(Built-in board) for KV-S1058Y/S1057C-M2,J2	PNWPS1027AM PNWPS1057AM PNWPS1028AM PNWPS1058AM PNWPS1057BM PNWPS1572M PNWPS1573M PNWPS1574M PNWPS1578M1 N2GBYY000005 N2GBYY000003
11	printed circuit boards less than 10 square centimetres and contain plastics with BFRs	Exist Location: See attached references/ USG Board	PNWPS1575M1
12	The external electric cable	Exist Location: See attached references/  AC Cord(KV-S1027C-M2/J2 KV-S1057C-M2/J2) AC Cord(KV-S1028Y/KV-S1058Y) AC Cord(KV-S1028Y/KV-S1058Y) USB Cable	K2CG3YY00198 K2CM3YY00044 K2CT3YY00085 K1HY09YY0021

**<Location>**

		<b>Information of location if included</b>	<b>Remarks</b>
1	Battery (internal) containing Mercury (Hg)/ NiCd/Lithium/ Other	Exist Lithium Battery on CONTROL Board for KV-S1027C-M2/J2 Lithium Battery on CONTROL Board for KV-S1057C-M2/J2 Lithium Battery on CONTROL Board for KV-S1028Y Lithium Battery on CONTROL Board for KV-S1058Y	Lithium Battery  PNWPS1027AM PNWPS1057AM PNWPS1028AM PNWPS1058AM
2	Mercury (Hg) in other applications (*1)	no	
3	Capacitors with PCB's	no	
4	Capacitors with substances of concern + height > 25mm, diameter > 25 mm or proportionately similar volume	no	
5	Beryllium Oxide	no	

**<Location & Information>**

		<b>Information if included</b>	<b>Remarks</b>
1	Gasses – which fall under Regulation (EC) 2037/2000 and all hydrocarbons (HC).	location type of gas properties volume and/or weight	no
2	Components with pressurised gas which need special attention [Pressure > 1,5 bar]	location type of gas pressure level discharge method	no
3	Liquids if volume > 10 cl ( or equivalence in weight, e.g. for PCB, oil...)	location type of liquid discharge method	no
4	Mechanical components that store mechanical energy (i.e. springs) or equivalent parts which need special attention [diameter > 10 mm and height > 25 mm or proportionally similar volume and expanding]	location	no

(\*1)Substances are considered to be in the product if present above the levels specified in Commission Decision 2005/618/EC related to Directive 2002/95/(EC) (RoHS Directive) or if their use is permitted through exemptions in the Annex of Directive 2002/95(EC)

**End-of-Life Characterization Report**

<b>Producer:</b>	Panasonic	<b>date issued: month/year</b>  10 / 2018
<b>Product category/ type of equipment (Annex IA and IB of WEEE Directive):</b>	<b>IA:IT and telecommunications equipment</b>	
<b>Name of equipment:</b>	Document Scanner	
<b>Valid for models:</b>	KV-S1057C-M2 KV-S1027C-M2 KV-S1057C-J2 KV-S1027C-J2 KV-S1058Y-U KV-S1028Y-U	

**Component/ Material Information**

**<Existence>**

	Component or Material	Marks & Location Write "Exist" if included	Remarks	Quantity	Tools Needed for Disassembly	Disassembly Instructions
1	Backlighting lamps of LCD/TFT or similar screens containing Mercury (Hg)	no		0	NA	NA
2	Cadmium (*1)	no		0	NA	NA
3	Gas discharge lamps	no		0	NA	NA
4	Plastic containing brominated flame retardants other than in Printed Circuit Assemblies	Exist Location: See attached references/	PNKV1272 AC INLET COVER PNUF1061 Sensor PCB Holder PNUA1083 Lower Chassis PNUV1066 CIS COVER B PNUV1068 DFP ROLLER COVER	5	Screw driver Nipper Needle-nose plier Blow-dryer	See attached references.
5	Liquid Crystal Displays with a surface greater than 100 cm2	no		0	NA	NA
6	Asbestos	no		0	NA	NA
7	Refractory ceramic fibres	no		0	NA	NA
8	Radio-active substances	no		0	NA	NA
9	Other forms of Beryllium	no		0	NA	NA
10	printed circuit boards greater than 10 square centimetres	Exist Location: See attached references/  CONTROL Board for KV-S1027C-M2/J2 CONTROL Board for KV-S1057C-M2/J2 CONTROL Board for KV-S1028Y CONTROL Board for KV-S1058Y Power Supply for KV-S1027C-M2/J2/S1057C-M2/J2 Power Supply for KV-S1028Y/S1058Y Panel LCD Board Panel SW Board Start Sensor Board CIS(Built-in board) for KV-S1028Y/S1027C-M2,J2 CIS(Built-in board) for KV-S1058Y/S1057C-M2,J2	PNWPS1027AM PNWPS1057AM PNWPS1028AM PNWPS1058AM PNWPS1057BM PNWPS1572M PNWPS1573M PNWPS1574M PNWPS1578M1 N2GBYY000005 N2GBYY000003	11	Screw driver Nipper Needle-nose plier Blow-dryer	See attached references.
11	printed circuit boards less than 10 square centimetres and contain plastics with BFRs	Exist Location: See attached references/ USG Board	PNWPS1575M1	1		
12	The external electric cable	Exist Location: See attached references/  AC Cord(KV-S1027C-M2/J2 KV-S1057C-M2/J2) AC Cord(KV-S1028Y/KV-S1058Y) AC Cord(KV-S1028Y/KV-S1058Y) USB Cable	K2CG3YY00198 K2CM3YY00044 K2CT3YY00085 K1HY09YY0021	4		

**<Location>**

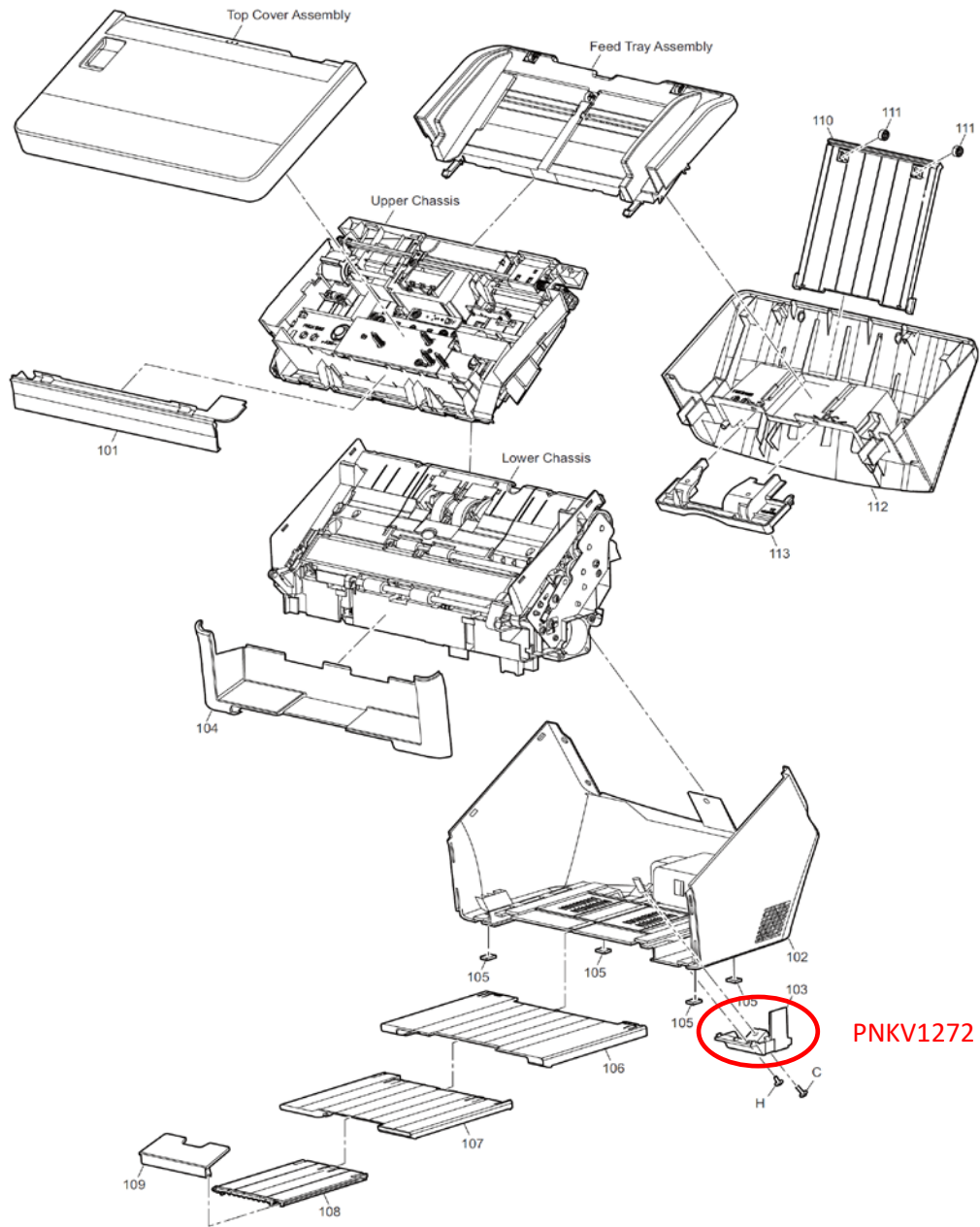
	Information of location if included	Remarks	Quantity	Tools Needed for Disassembly	Disassembly Instructions
1	Exist Lithium Battery on CONTROL Board for KV-S1027C-M2/J2 Lithium Battery on CONTROL Board for KV-S1057C-M2/J2 Lithium Battery on CONTROL Board for KV-S1028Y Lithium Battery on CONTROL Board for KV-S1058Y	Lithium Battery  PNWPS1027AM PNWPS1057AM PNWPS1028AM PNWPS1058AM	1	Nipper	See attached references.
2	Mercury (Hg) in other applications (*1)	no	0	NA	NA
3	Capacitors with PCB's	no	0	NA	NA
4	Capacitors with substances of concern + height > 25mm, diameter > 25 mm or proportionately similar volume	no	0	NA	NA
5	Beryllium Oxide	no	0	NA	NA

**<Location & Information>**

	Information if included	Remarks	Quantity	Tools Needed for Disassembly	Disassembly Instructions
1	location type of gas properties volume and/or weight	no	0	NA	NA
2	location type of gas pressure level discharge method	no	0	NA	NA
3	location type of liquid discharge method	no	0	NA	NA
4	location	no	0	NA	NA

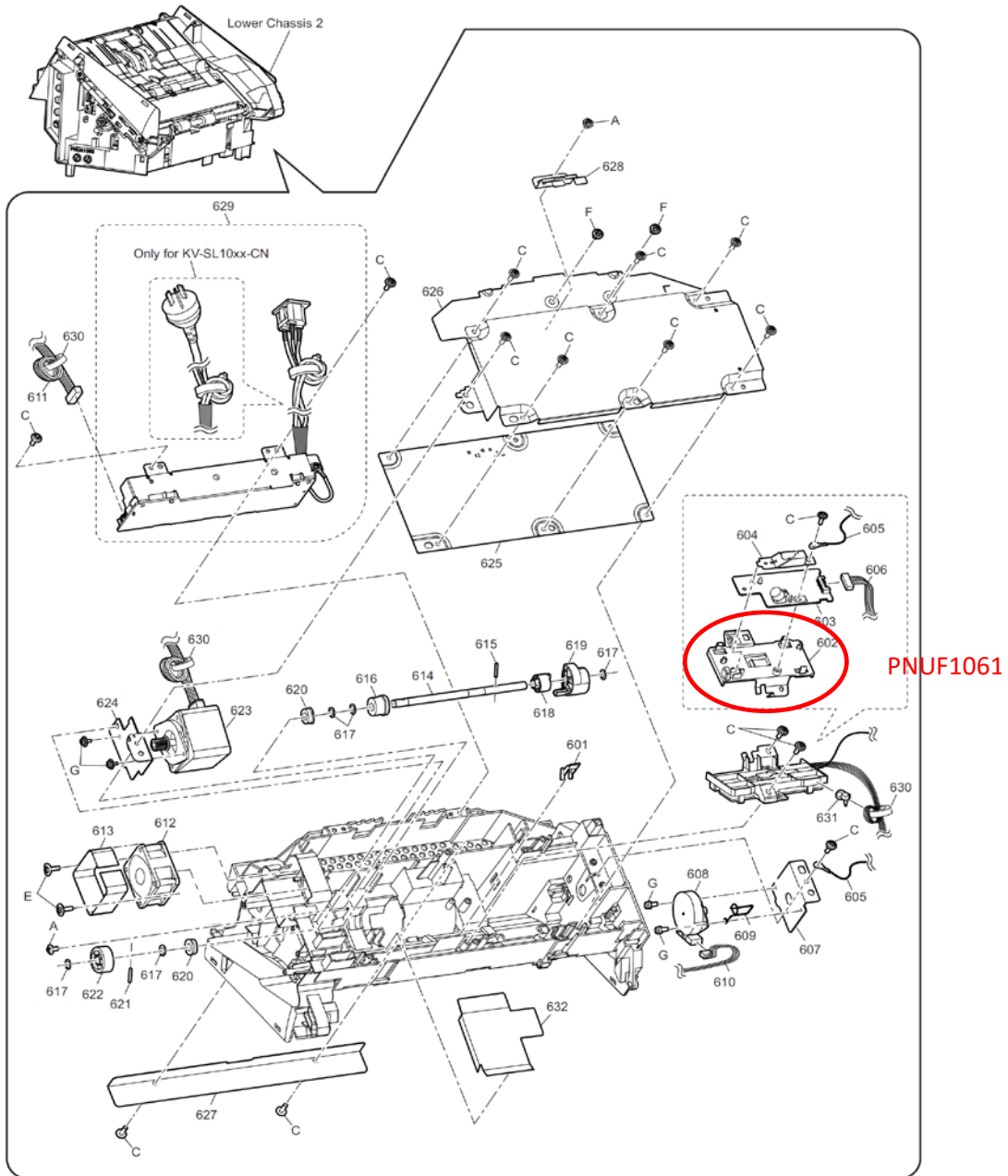
(\*1)Substances are considered to be in the product if present above the levels specified in Commission Decision 2005/618/EC related to Directive 2002/95/EC (RoHS Directive) or if their use is permitted through exemptions in the Annex of Directive 2002/95/EC

## 14.1. Exterior



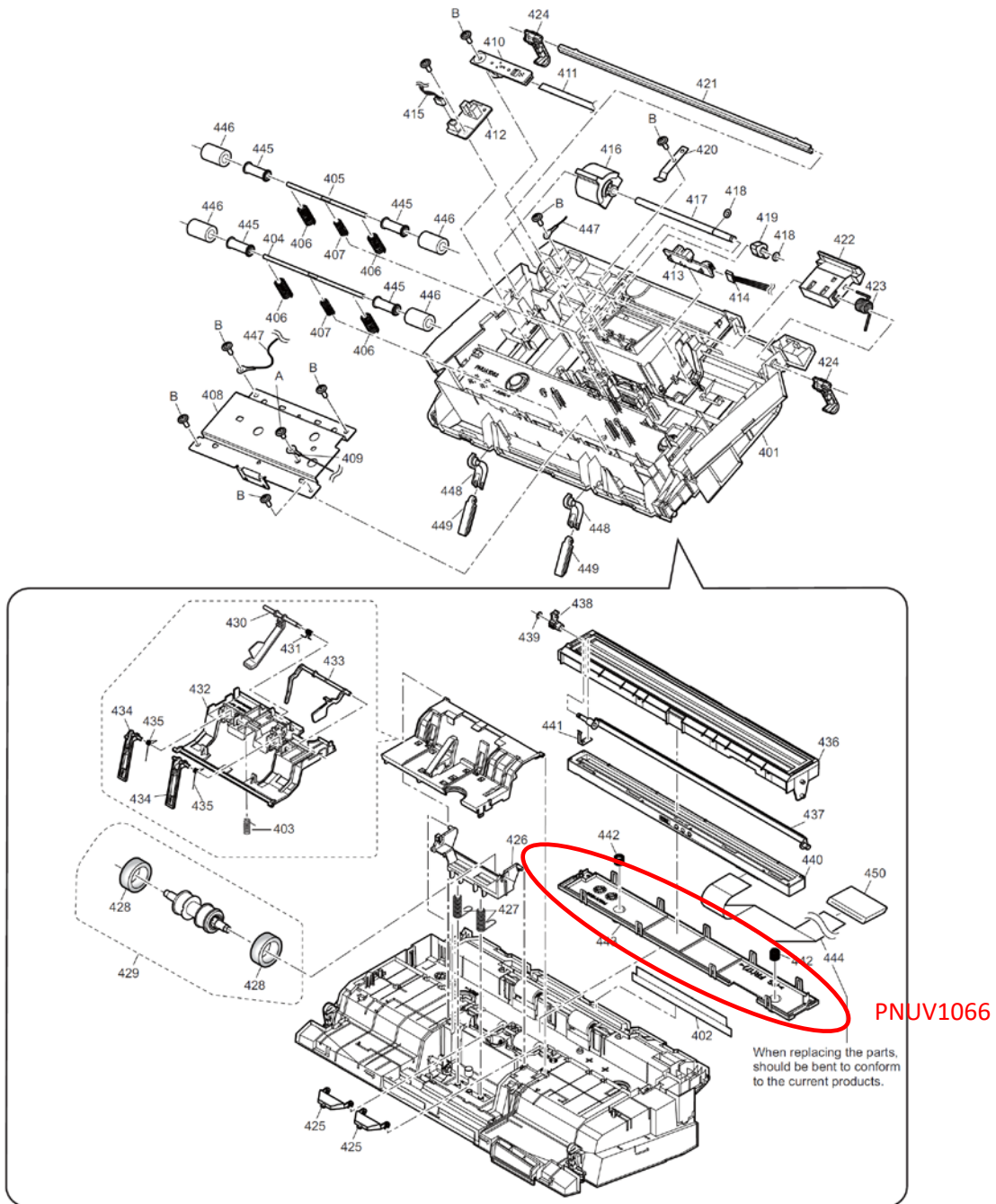
PNKV1272

## 14.6. Lower Chassis 2

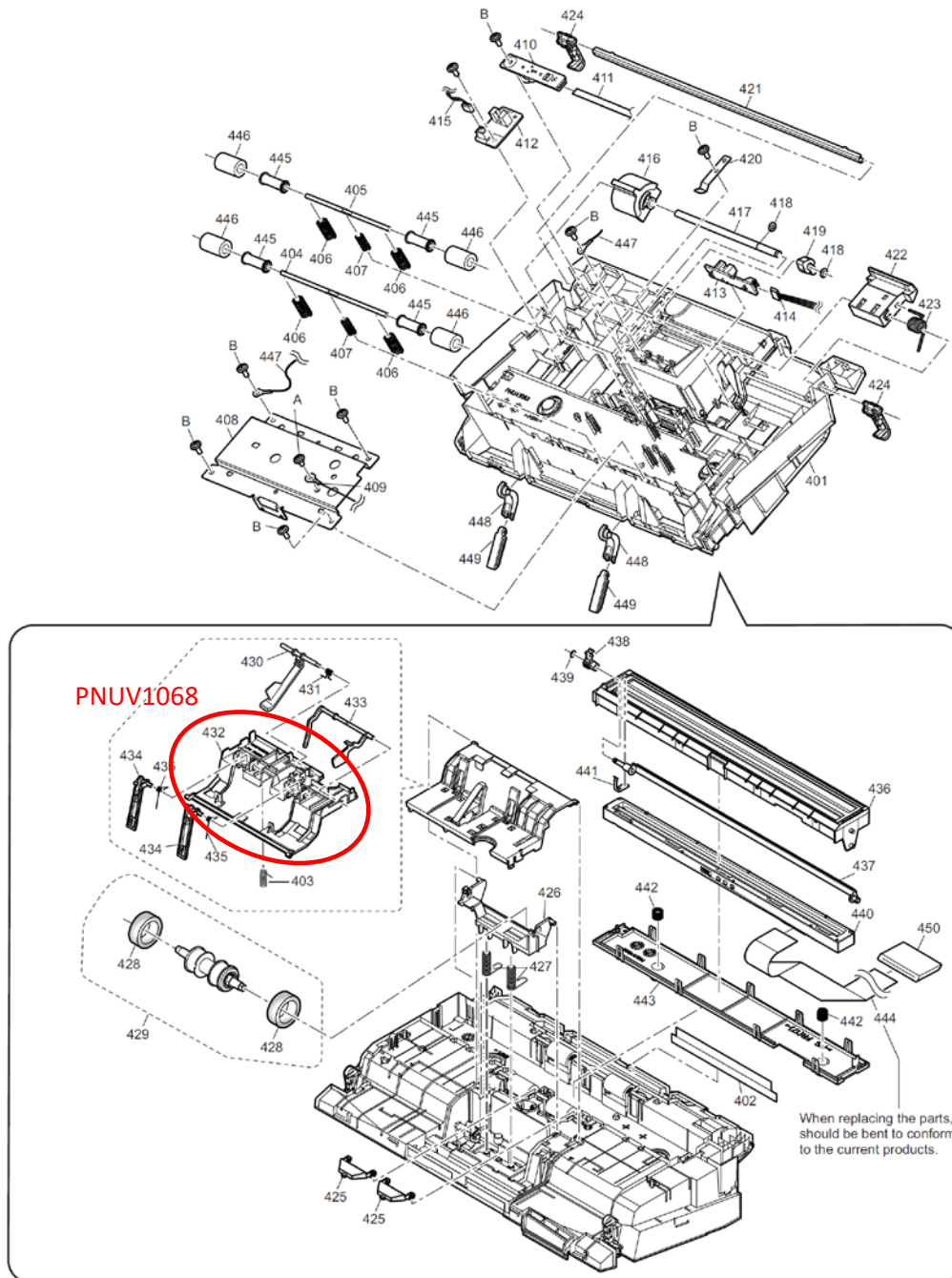




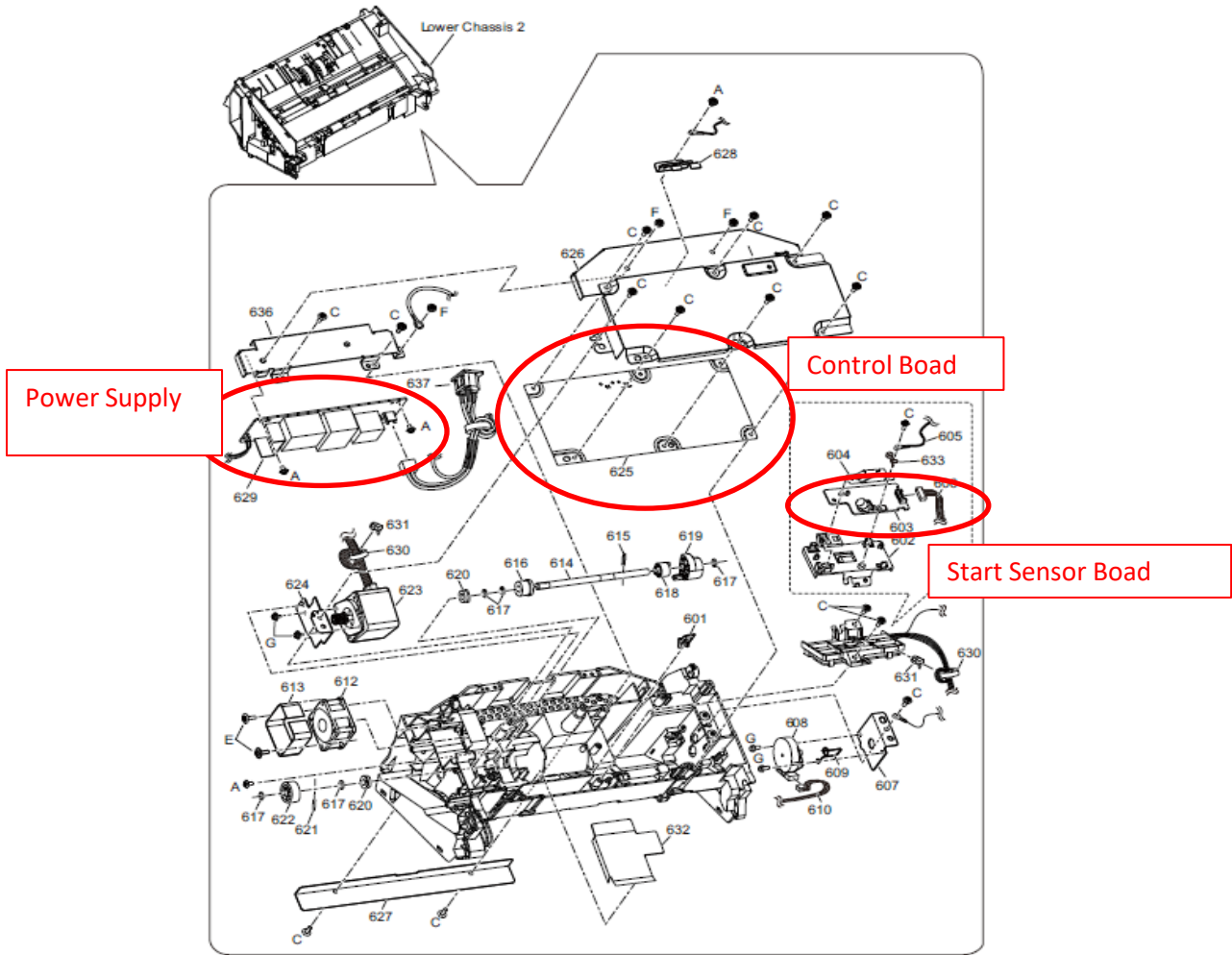
## 14.4. Upper Chassis



## 14.4. Upper Chassis

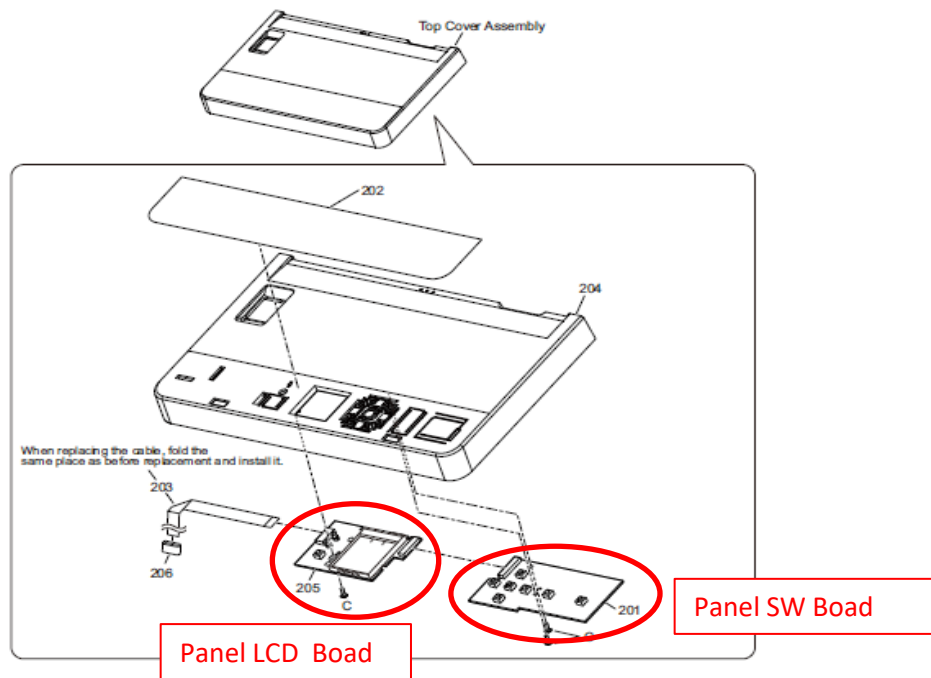


For KV-S1057C-M2/J2, S1027C-M2/J2



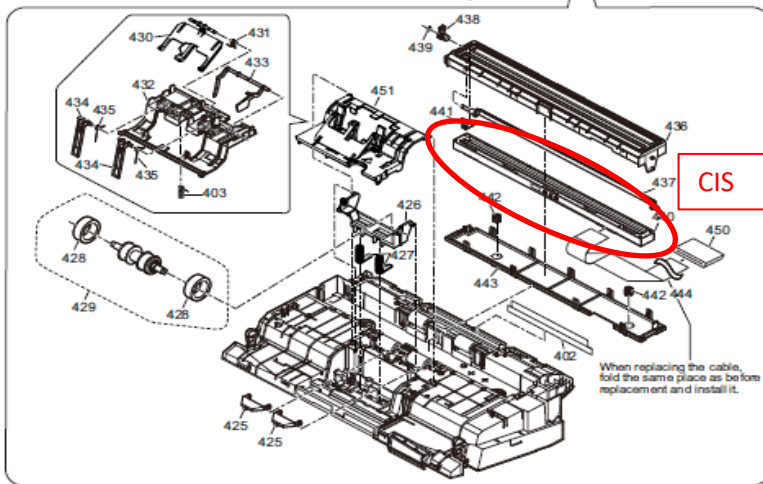
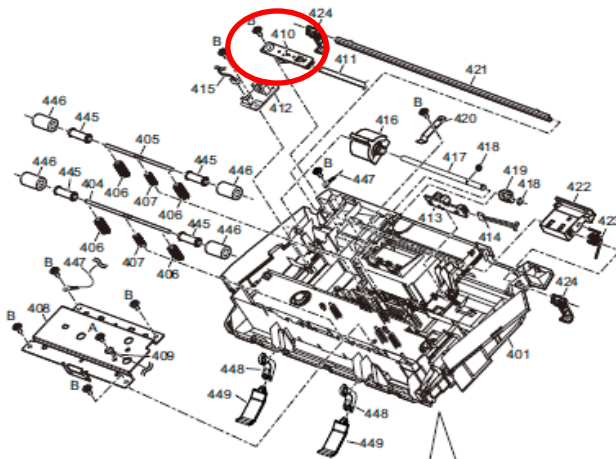


## 15.2. Top Cover Assembly

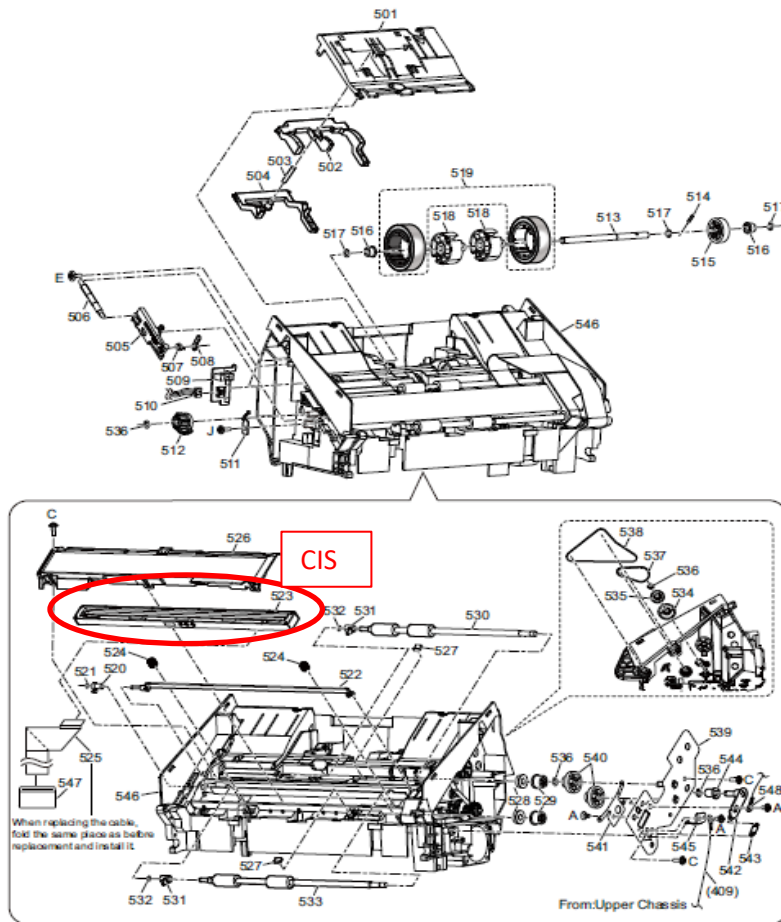


### 15.4. Upper Chassis

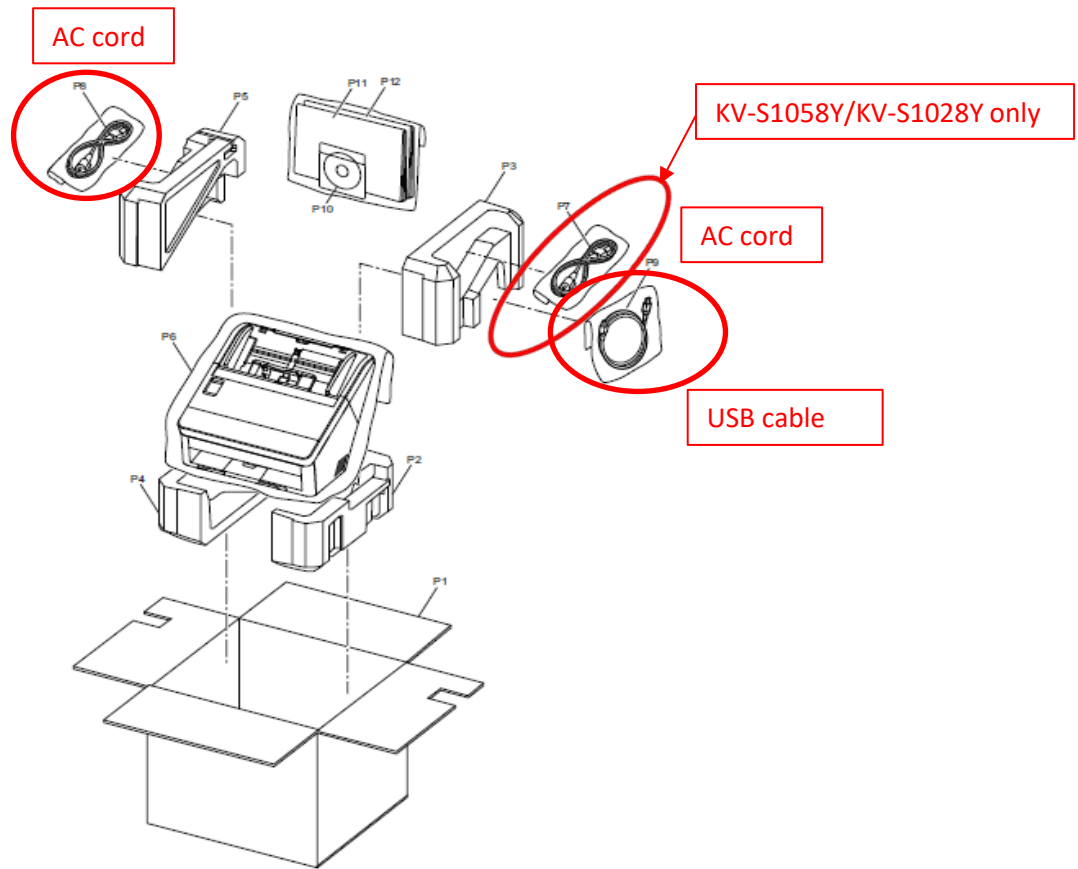
USG Board



### 15.5. Lower Chassis 1



## 15.7. Packing



CONTROL Board for KV-S1027C-M2/J2  
CONTROL Board for KV-S1057C-M2/J2  
CONTROL Board for KV-S1028Y  
CONTROL Board for KV-S1058Y

Cut the 2 terminals with a nipper and remove the Lithium Battery.



CONTROL Board (For reference only)